

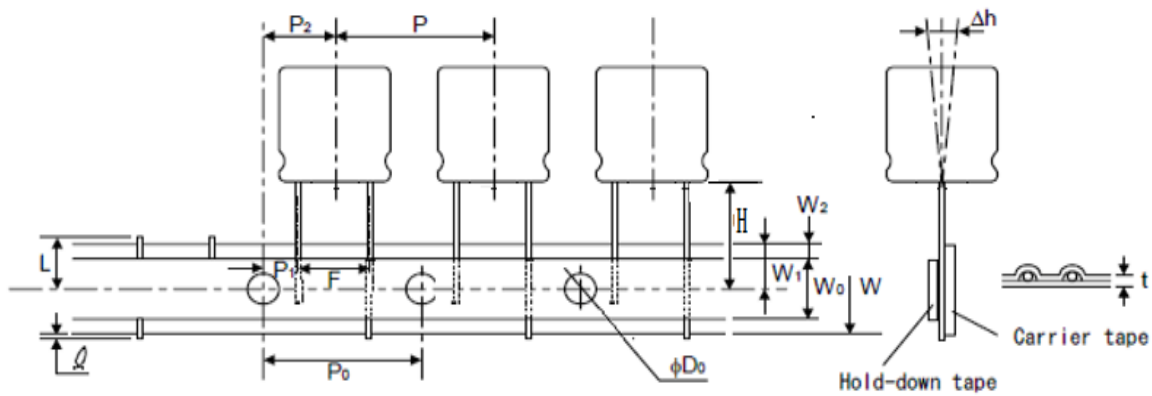


Taping Specifications and Package Quantity



Conductive Polymer Aluminum Solid Capacitors

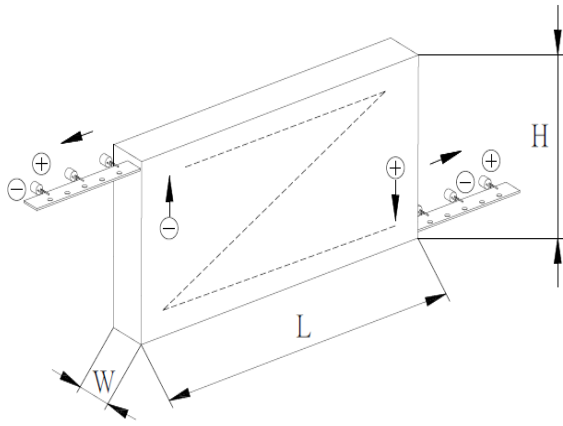
Taping Specifications for Radial Type



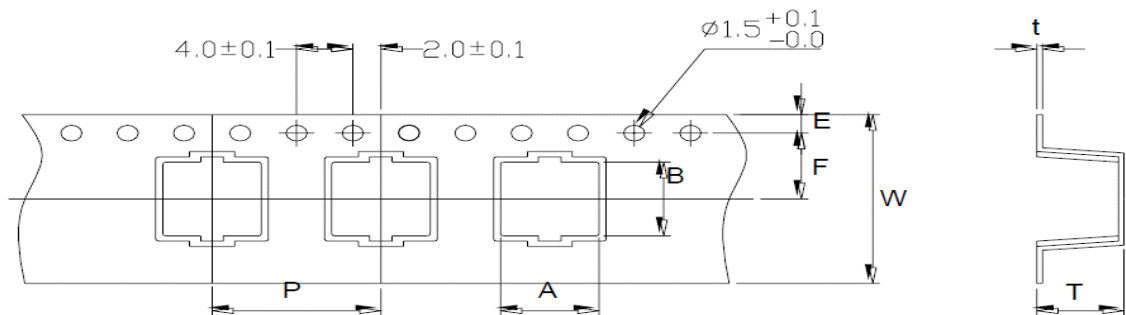
(unit : mm)

Size Code	F	P	P0	P1	P2	Δh	W	W0	W1	W2	H	ΦD_0	t	l	L
Tolerance	0.8	± 1.0	± 0.2	± 0.5	± 1.0	± 1.0	± 0.5	min	± 0.5	max	± 0.75	± 0.2	± 0.3	max	max
	-0.2														
05X8	2	12.7	12.7	5.35	6.35	0	18	9.5	9	2.5	18.5	4	0.6	0	11
06X5	2.5	12.7	12.7	5.1	6.35	0	18	9.5	9	2.5	18.5	4	0.6	0	11
06X8															
06A0															
06A1															
08X8	3.5	12.7	12.7	4.6	6.35	0	18	9.5	9	2.5	18.5	4	0.6	0	11
08A2															
08A6															
08B0															
10A2	5	12.7	12.7	3.85	6.35	0	18	9.5	9	2.5	18.5	4	0.6	0	11
10A6															
10B0															

Diameter (mm)	Case length (mm)	Size Code	L(mm) max	W(mm) max	H(mm) max	Package q'ty (pieces)
Φ5	8	0508	335	42	260	2000
Φ6.3	5	06X5	335	39	260	2000
	8	06X8	335	42	260	
	10	06A0	335	45	260	
	11	06A1	335	45	260	
Φ8	8	08X8	335	42	260	1200
	11.5	08A2	335	45	260	
	16	08A6	335	53	260	
	20	08B0	335	53	260	
Φ10	11.5	10A2	335	45	260	650
	16	10A6	335	55	260	
	20	10B0	335	55	260	

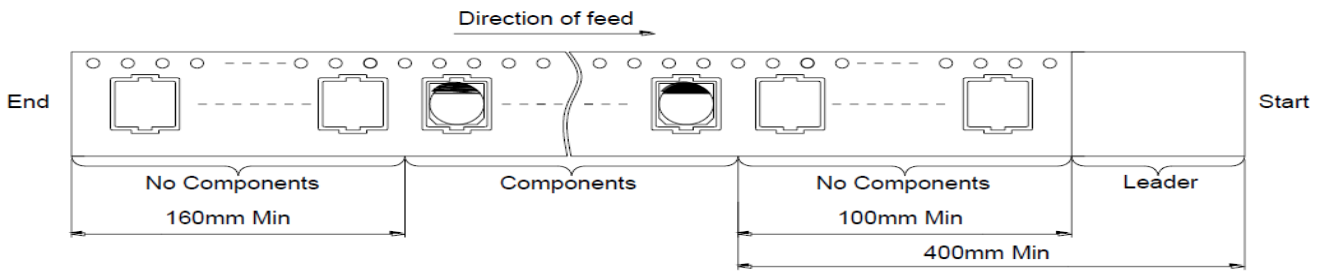


Taping Specifications for SMD Type

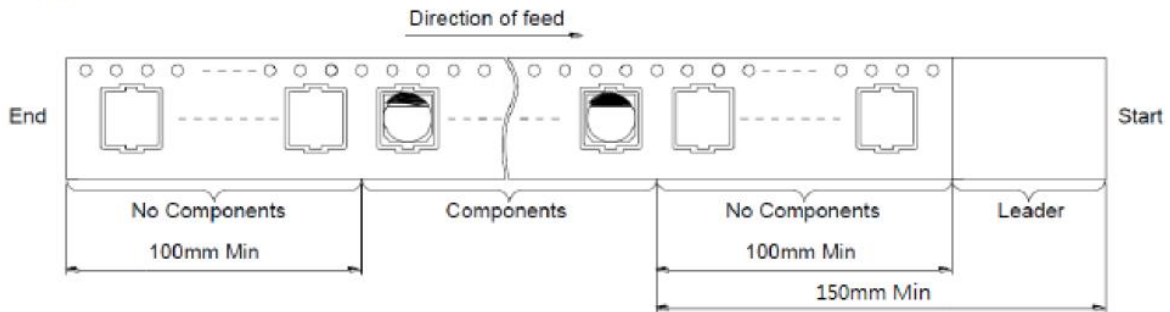


Size code	W±0.3	A±0.2	B±0.2	F±0.1	E±0.1	P±0.1	T±0.2	t ±0.05
	(mm)	(mm)	(mm)	(mm)	(mm)	(mm)	(mm)	(mm)
0506	12	5.7	5.7	5.5	1.75	12	6.2	0.4
0645	16	6.8	6.8	7.5	1.75	12	4.8	0.4
0606	16	6.8	6.8	7.5	1.75	12	6.3	0.4
0608	16	7	7	7.5	1.75	12	8.2	0.5
0610	16	7	7	7.5	1.75	12	10	0.5
0807	24	8.7	8.7	11.5	1.75	12	7.2	0.5
0810	24	8.7	8.7	11.5	1.75	16	10	0.5
0812	24	8.7	8.7	11.5	1.75	16	12	0.5
1012	24	10.7	10.7	11.5	1.75	16	13	0.5

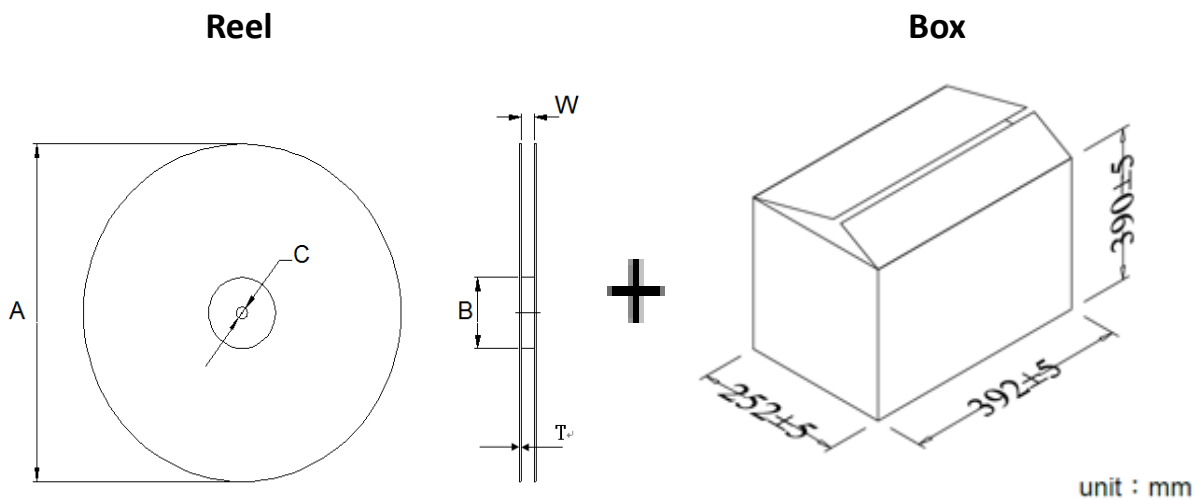
(a) 5 - 6 - 8 phi



(b) 10 phi



Reel Dimension and Package Quantity

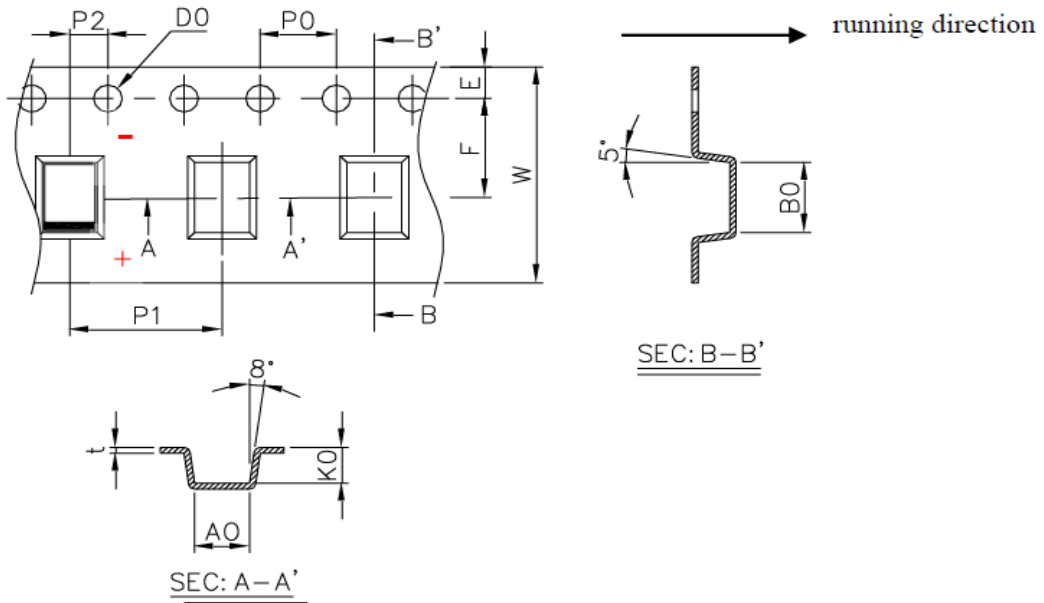


Size	Size Code	A ± 2	B ± 0.5	C ± 0.5	W ± 0.8	T ± 0.3	1 Reel	1 Box
		(mm)	(mm)	(mm)	(mm)	(mm)		
φ5	0506	381	100	13	13.5	2.5	1.2K pcs	7.2k pcs(6 reels)
φ6	0645	381	100	13	16.5	2.5	1.5K pcs	9K pcs(6 reels)
	0606						1.2k pcs	7.2k pcs(6 reels)
	0608						900 pcs	5.4k pcs(6 reels)
	0610						750 pcs	4.5K pcs(6 reels)
φ8	0807	381	100	13	25.9	2.5	1k pcs	5k pcs(5 reels)
	0810						500 pcs	2.5k pcs(5 reels)
	0812						400 pcs	2k pcs(5 reels)
φ10	1012	381	100	13	25.9	2.5	450 pcs	2.25k pcs(5 reels)



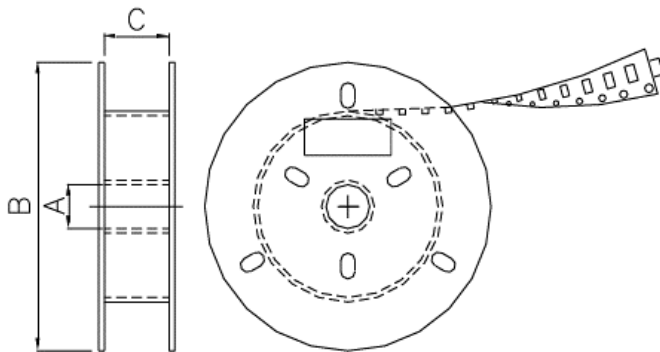
Conductive Polymer Solid Electrolytic Chip Capacitors

Taping Specifications for CAP Type



(Unit: mm)	W	P1	E	F	D0	P0	P2	A0	B0	K0	t
Dimension	12.00	8.00	1.75	5.50	1.50	4.00	2.00	5.00	7.60	2.30	0.24
Tolerance	±0.10	±0.10	±0.10	±0.10	+0.10 -0.00	±0.10	±0.10	±0.10	±0.10	±0.10	±0.10

Reel Dimension and Package Quantity



(unit: mm)

A	B	C
13.2±0.3	330±1.0	13.5±0.5

Case size	1 REEL	inner box(6 捲)	outer box(12 捲)
ACAS	3,500PCS	21KPCS	42KPCS
ACAH	2,800PCS	16.8KPCS	33.6KPCS
ACTH	2,800PCS	16.8KPCS	33.6KPCS

